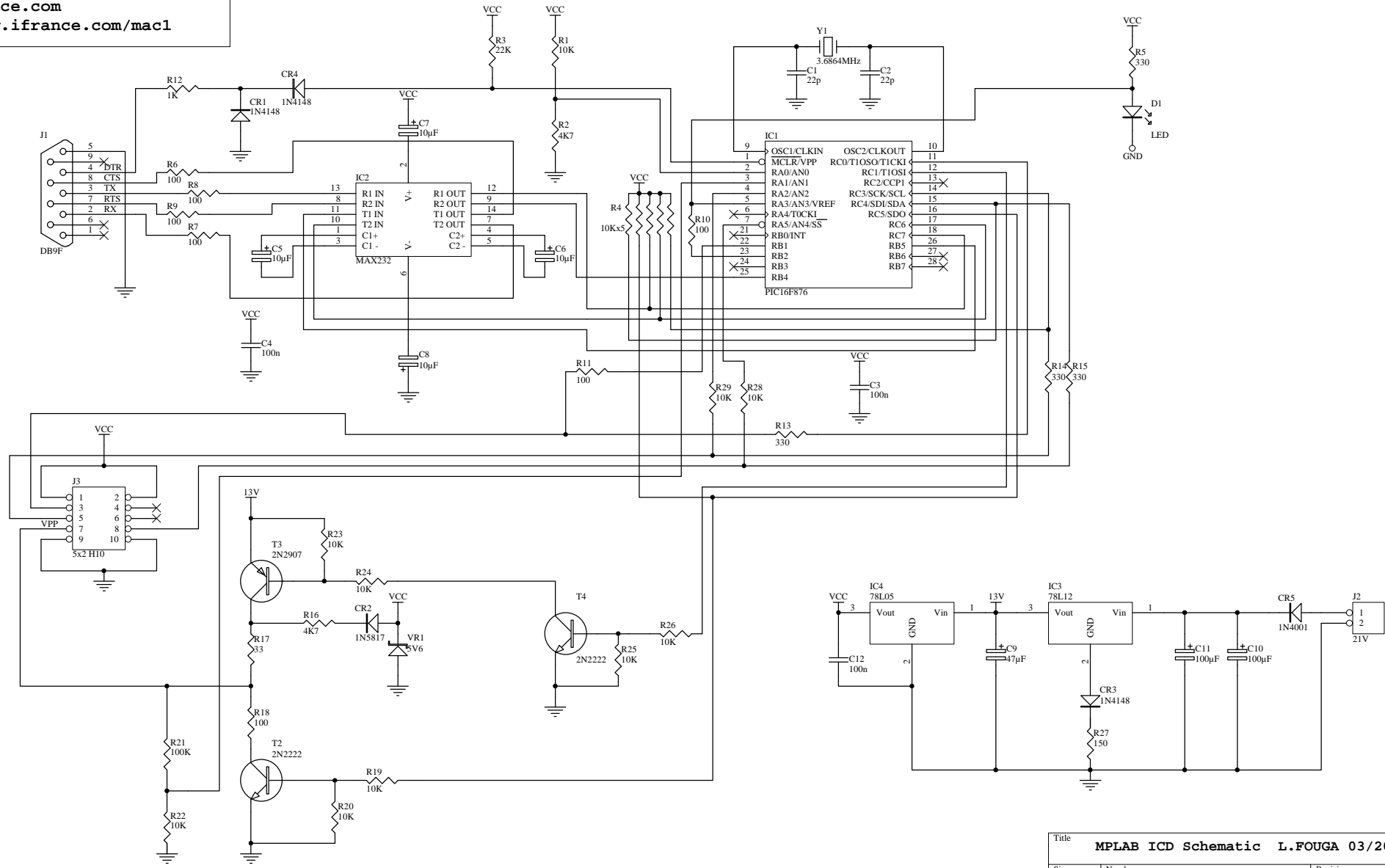


renseignements:
 foul@ifrance.com
<http://www.ifrance.com/mac1>



Title		
MPLAB ICD Schematic L.FOUGA 03/2001		
Size	Number	Revision
B		
Date:	15-Aug-2001	Sheet of
File:	\\Foule\Temp\icdpic\schema.sch	Drawn By: